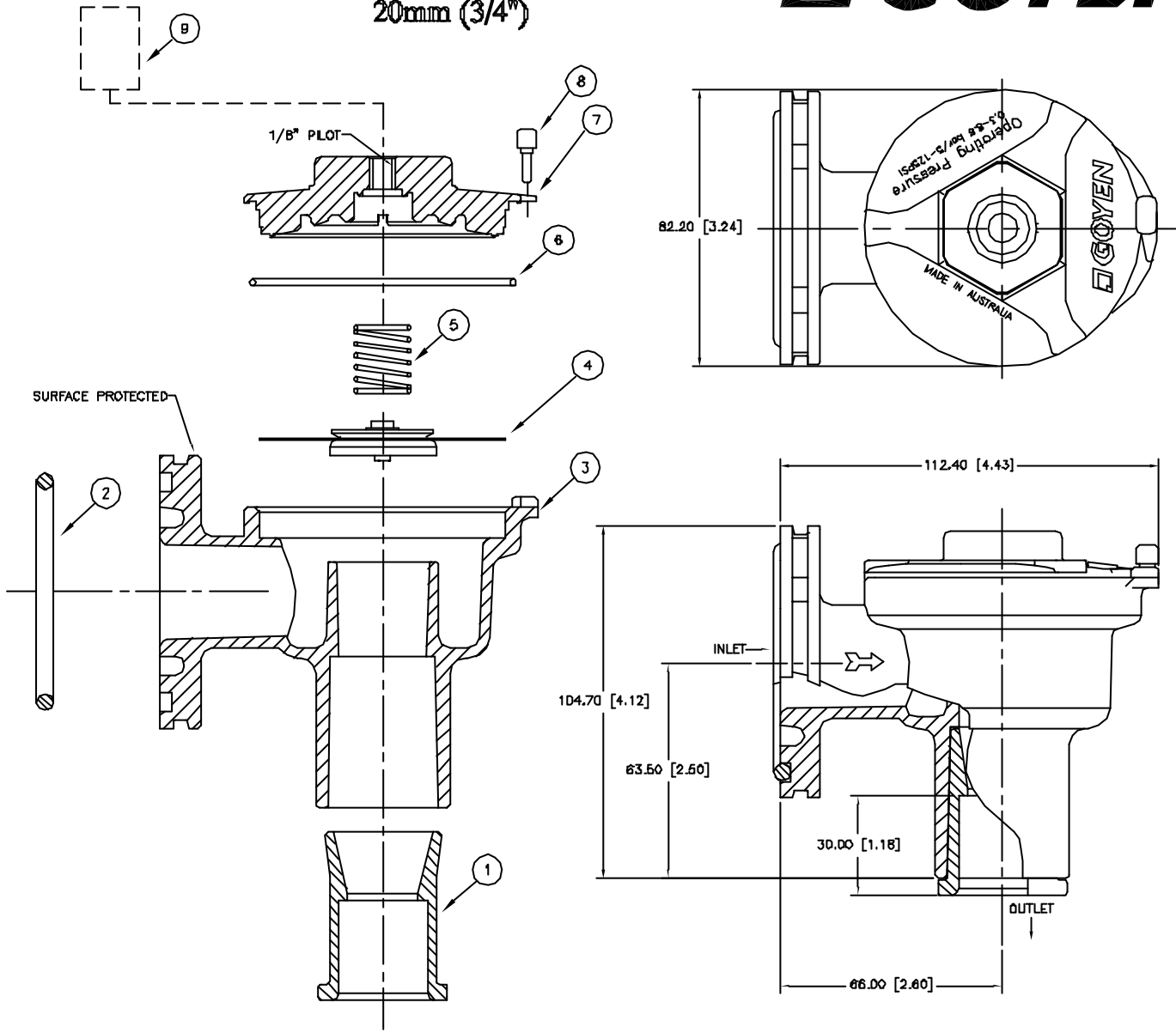


DIAPHRAGM VALVES
MILLENNIUM FS SERIES - RCAC
20mm (3/4")



MECHANICAL DETAILS

No	DESCRIPTION	STANDARD MATERIAL	PORT OPTIONS	HIGH TEMP MATERIALS	KIT No STANDARD	KIT No HIGH TEMP
1	SLIDE SEAL	EPDM	-	-	-	-
2	O' RING	NITRILE	-	-	-	-
3	BODY	DIE CAST ALUMINIUM	NPT/BSPT G	-	-	-
4	DIAPHRAGM	BUNA/NYLON	-	-	K2016	-
5	SPRING	SS 304	-	-	-	-
6	O' RING	BUNA	-	-	-	-
7	COVER	DIE CAST ALUMINIUM	NPT/BSPT G	-	-	-
8	LOCATION PIN	NYLON	-	-	-	-
9	OPERATOR COIL KIT	COIL ENCAPTULATION = NYLON PLUNGER = SS SPRING = SS	-	-	MCO-24V DC MCO-110/127V AC MCO-220/240V AC	N/A

ELECTRICAL DETAILS

COIL VOLTAGE	240 VAC / 120 VAC / 24 VDC
COIL CONNECTION	IP65 DIN

WEIGHTS

UNIT WEIGHT	RCAC = 0.565 Kg
-------------	-----------------

DOC No	CAS_DG_MILL20FS3
REVISION No	3
ISSUE DATE	17.7.2002