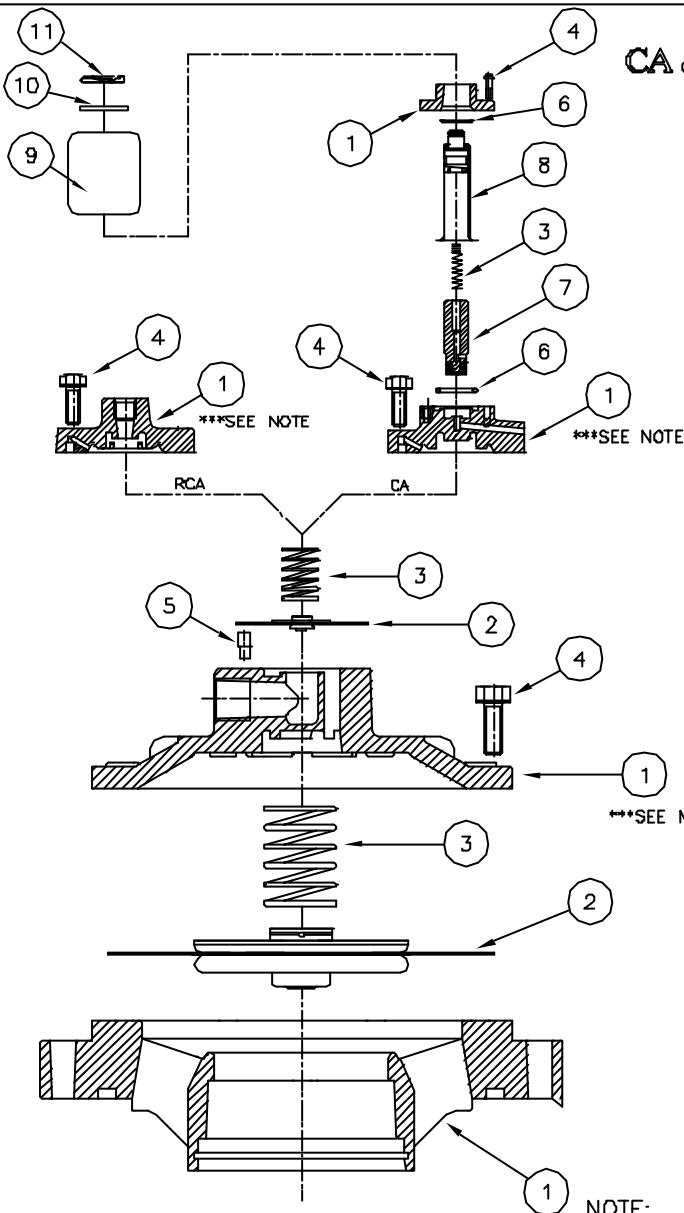
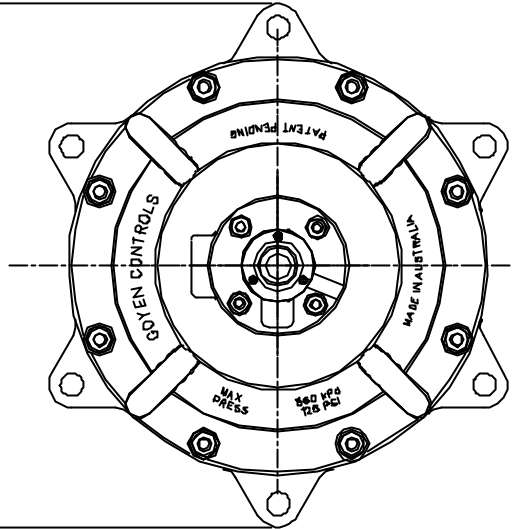


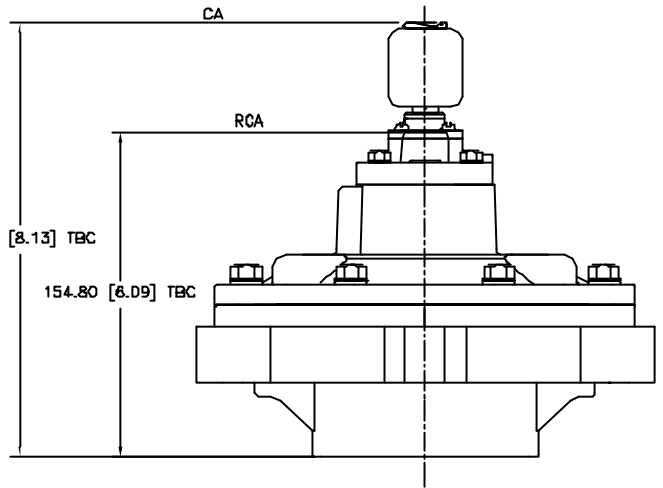
CA & RCA 76 MM



249.00 [9.80] TBC



208.60 [8.13] TBC



154.80 [6.09] TBC

NOTE:
ROTATION OF COMPONENT
MARKED *** ALTERED FROM
FINAL ASSEMBLY POSITION
FOR CLARITY OF CROSS
SECTION

MECHANICAL DETAILS

No	DESCRIPTION	STANDARD MATERIAL	PORT OPTIONS	HI TEMP MATERIALS	KIT No STANDARD	KIT No HI TEMP
1	BODY & COVER	ALUMINIUM DIE CAST CA313	3"RC,NPT,G	AS STANDARD	-	-
2	MAIN DIAPHRAGM	BUNA N / BUNA N RUBBER	N/A	VITON	K7600	K7601
3	MAIN SPRING	304 STAINLESS STEEL	N/A	AS STANDARD	-	-
4	SCREWS	304 STAINLESS STEEL	N/A	AS STANDARD	-	-
5	BLEED PIN	TURNED ALUMINIUM	N/A	AS STANDARD	-	-
6	O' RINGS	BUNA N / NITRILE	N/A	VITON	-	-
7	PLUNGER ASS'Y	430 FR STAINLESS STEEL	N/A	AS STANDARD	K0380	-
8	FERRULE/IRON TOP ASS'Y	305 STAINLESS STEEL	N/A	AS STANDARD	K0380	-
9	COIL ARRGMNT.	130° RATED NYLON ENCAPSULATION	QD -1/2 NPSC -M20x1.5	N/A	QR-K030-K0309 QD(M)-K0310-K0319 QD(N)-K0320-K0329	N/A
10	WASHER	PRESSED ALUMINIUM	N/A	AS STANDARD	-	-
11	CLIP	MECHANICAL PLATED STEEL	N/A	AS STANDARD	-	-

ELECTRICAL DETAILS

COIL VOLTAGE	200/240 VAC, 100/120 VAC, 24 VAC, 24 VDC, 12 VDC
COIL CONNECTION	QR - DIN CONNECTION QD CONDUIT ENTRY

WEIGHTS

UNIT WEIGHT	RCA = 3.680 Kg CA = 3.900 Kg
-------------	--------------------------------

DOC No	CAS_DG_76T
REVISION No	2
ISSUE DATE	17.7.2002