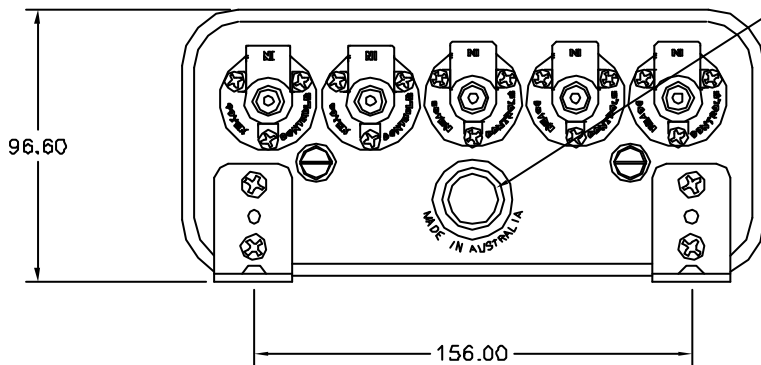
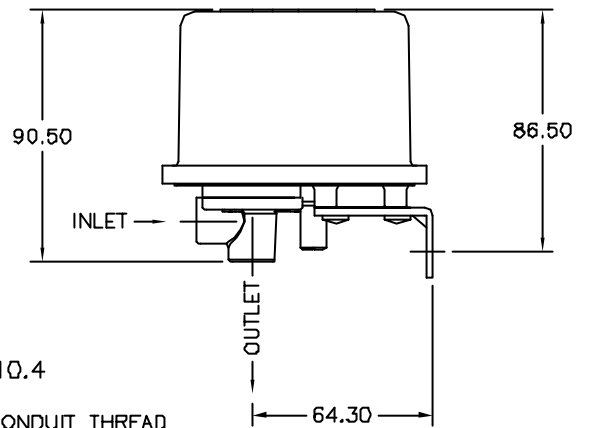
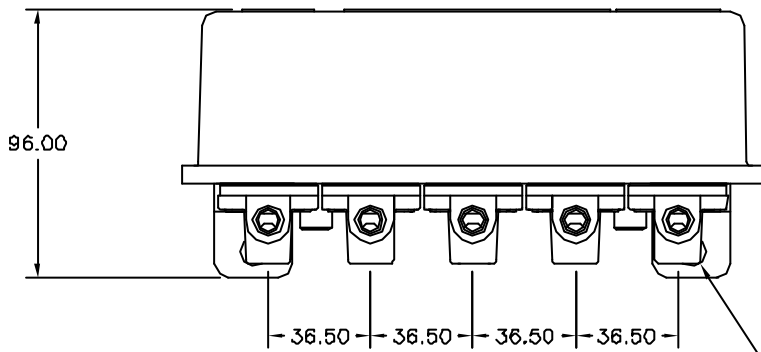
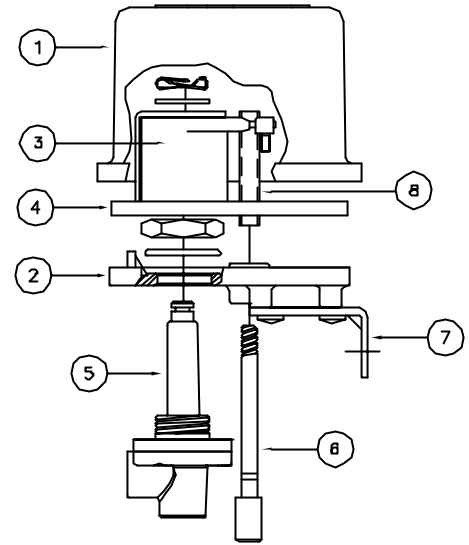
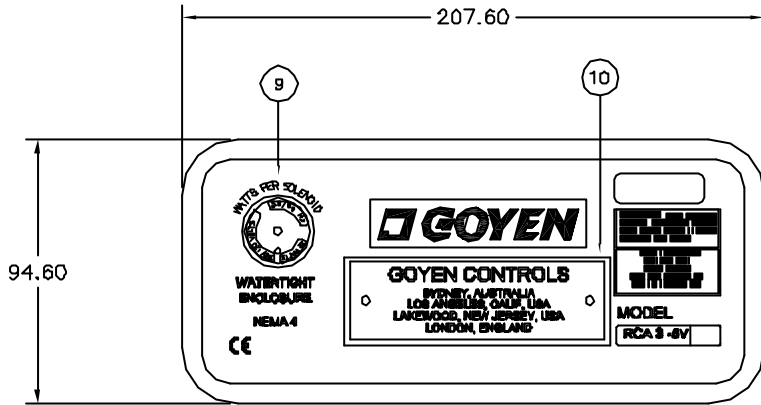


3-5V5 NEMA 4 SOLENOID PILOT ENCLOSURE



ITEM	DESCRIPTION	STANDARD MATERIAL
1	COVER CSA-CE APPROVED NEMA 4	ALUMINIUM DIECAST
2	5 VALVE BASE MAXIMUM 5 VALVES MOUNTED, 2 CONDUIT ENTRIES	ALUMINIUM DIE CAST
3	QT COILS - FOR VOLTAGE OPTIONS SEE - TBA	
4	RAINTIGHT SEAL - BUNA N	BUNA N
5	1/8 SOLENOID PILOT - RP & NPT INLET/EXHAUST THREADS	
6	BASE TO COVER RETAINING PIN	MILD STEEL
7	MOUNTING BRACKETS	MILD STEEL
8	RETAINING PIN INSULATOR	BLACK PVC TUBE
9	VOLTAGE PLATE - NOMINATING COIL VOLTAGE INTERNALLY	
10	GOYEN NAMEPLATE / CUSTOMERS NAMEPLATE (OPTION)	CUSTOMER REQUEST

DOC No	CAS_DG_3-5V5
REVISION No	2
ISSUE DATE	18.7.2002