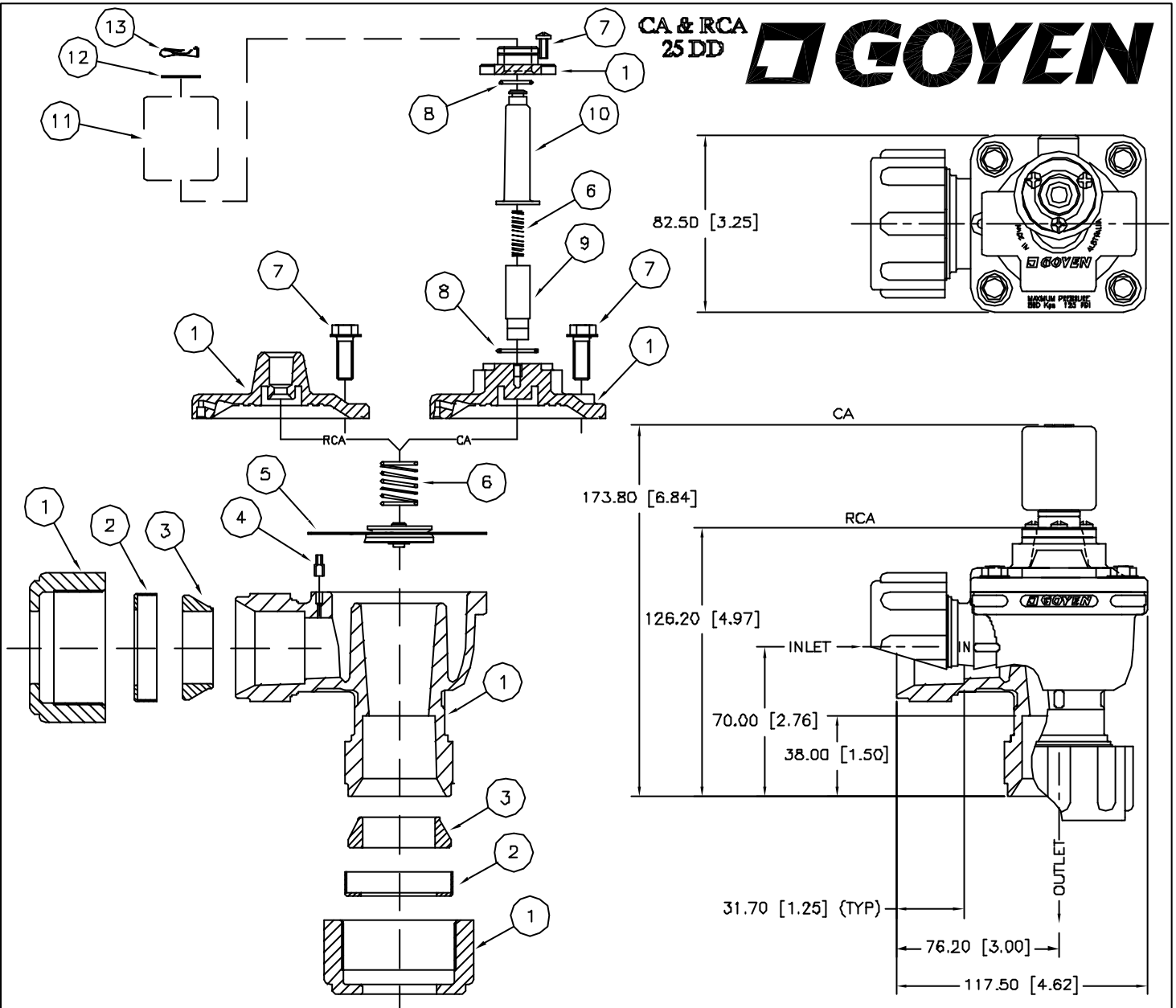


CA & RCA
25 DD

GOYEN



MECHANICAL DETAILS

No	DESCRIPTION	STANDARD MATERIAL	PORT OPTIONS	HIGH TEMP MATERIALS	KIT No STANDARD	KIT No HIGH TEMP
1	BODY,COVER,NUT	ALUM DIE CAST CA313	1" PIPE	AS STANDARD	-	-
2	SEAL RETAINER	M.S GALVABOND	N/A	AS STANDARD	K2508	K2507
3	SEAL	NITRILE	N/A	VITON	K2508	K2507
4	BLEED PIN	SPRUNG STEEL	N/A	AS STANDARD	-	-
5	DIAPHRAGM ASS'Y	BUNA N / NYLON	N/A	VITON	K2501	K2503
6	SPRING	304 STAINLESS STEEL	N/A	AS STANDARD	-	-
7	SCREW	304 STAINLESS STEEL	N/A	AS STANDARD	-	-
8	O' RING	BUNA N / NITRILE	N/A	VITON	-	-
9	PLUNGER ASS'Y	430 FR ST/STL	N/A	AS STANDARD	K0380	-
10	FERRULE/IRON TOP ASS'Y	305 STAINLESS STEEL	N/A	AS STANDARD	K0380	-
11	COILS	130' RATED NYLON ENCAPSULATION	QD -1/2 NPSC -M20x1.5	N/A	QR-K030-K0309 QD(M)-K0310-K0319 QD(N)-K0320-K0329	N/A
12	WASHER	PRESSED ALUMINIUM	N/A	AS STANDARD	-	-
13	CLIP	MECH PLATED STEEL	N/A	AS STANDARD	-	-

ELECTRICAL DETAILS

COIL VOLTAGE	200/240 VAC, 100/120 VAC, 24 VAC, 24 VDC, 12 VDC
COIL CONNECTION	QR - DIN CONNECTION QD CONDUIT ENTRY

WEIGHTS

UNIT WEIGHT	RCA = 0.990 Kg CA = 1.210 Kg
-------------	------------------------------

DOC No	CAS_DG_25DD
REVISION No	2
ISSUE DATE	17.7.2002