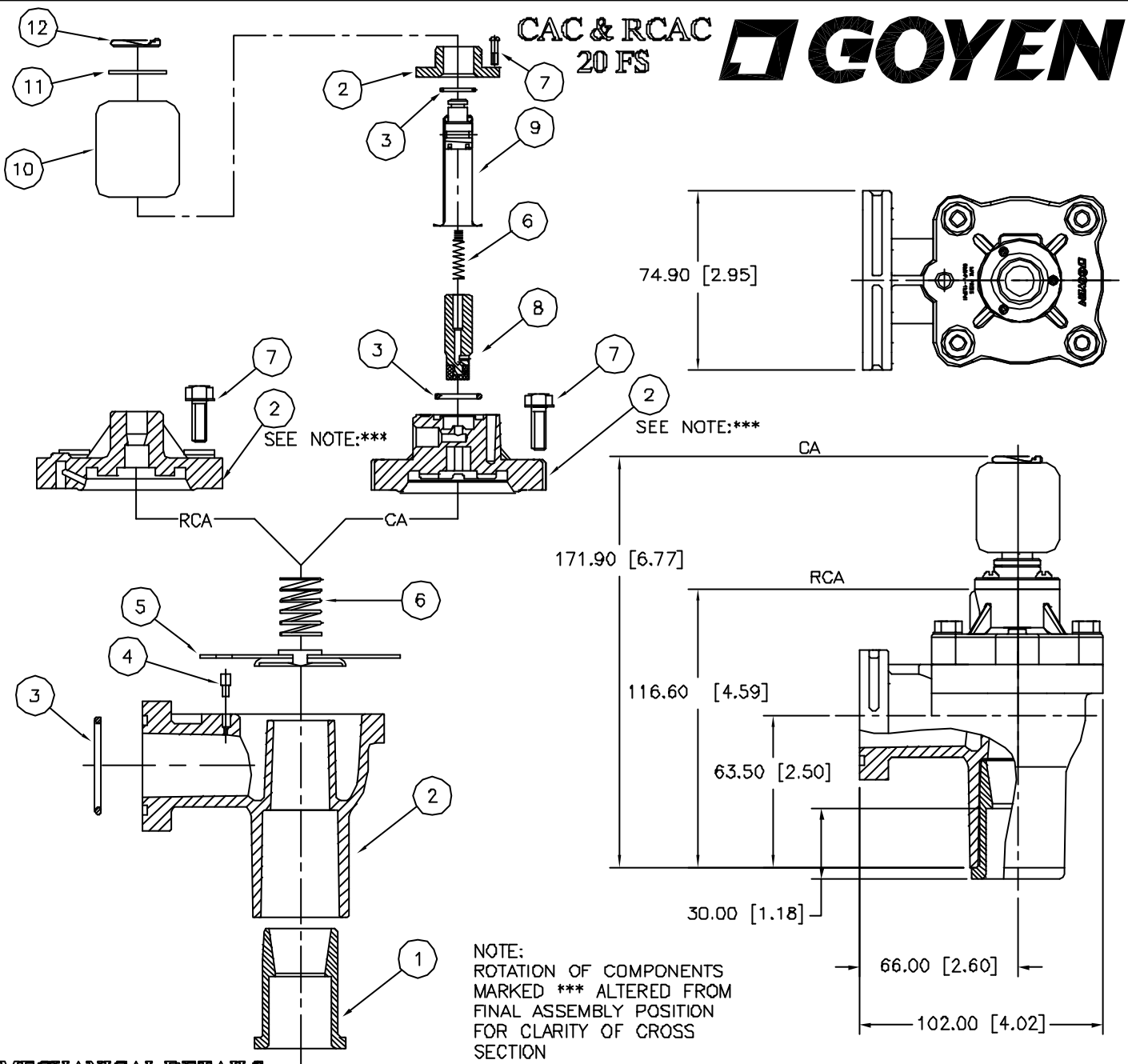


CAC & RCAC  
20 FS

**GOYEN**



**MECHANICAL DETAILS**

No	DESCRIPTION	STANDARD MATERIAL	PORT OPTIONS	HIGH TEMP MATERIALS	KIT No STANDARD	KIT No HIGH TEMP
1	SLIDE SEAL	EPDM	N/A	-	-	-
2	BODY & COVER	GF NYLON 66	1" IN 3/4" OUT	-	-	-
3	O' RING	NITRILE	N/A	-	-	-
4	BLEED PIN	TURND ALUMINIUM	N/A	-	-	-
5	DIAPHRAGM ASS'Y	BUNA N / NYLON	N/A	-	TBA	TBA
6	SPRING	304 STAINLESS STEEL	N/A	-	-	-
7	SCREW	304 STAINLESS STEEL	N/A	-	-	-
8	PLUNGER ASS'Y	430 FR ST/STL	N/A	-	TBA	-
9	FERRULE/IRON TOP ASS'Y	305 STAINLESS STEEL	N/A	-	TBA	-
10	COILS	130' RATED NYLON ENCAPSULATION	QD -1/2 NPSC -M20x1.5	-	TBA	N/A
11	WASHER	PRESSED ALUMINIUM	N/A	-	-	-
12	CLIP	MECH PLATED STEEL	N/A	-	-	-

**ELECTRICAL DETAILS**

COIL VOLTAGE	200/240 VAC, 100/120 VAC, 24 VAC, 24 VDC, 12 VDC
COIL CONNECTION	QR - DIN CONNECTION QD CONDUIT ENTRY

**WEIGHTS**

UNIT WEIGHT	RCA = 0.325 Kg CA = 0.537 Kg
-------------	------------------------------

DOC No	CAS_DG_20FS
REVISION No	2
ISSUE DATE	17.7.2002