



Accessories

DESCRIPTION

Bulkhead compression fittings

The **bulkhead fittings connect** the valve to the blow tube through the wall of the filter. An important saving of time and material is allowed by the quickness of the connection to an unthreaded blow tube with no need for welding or use of additional fittings.

Two versions of the bulkhead compression fittings are available:

- PTD: two piece tube connection fittings,
- PTS: through tube connection fittings.

Use smooth unthreaded pipes for connecting the header tank and filter blow tubes to the valve. Then tighten the quick fit connections with the proper size CH wrench (for nut rings) and PH (for bolts).

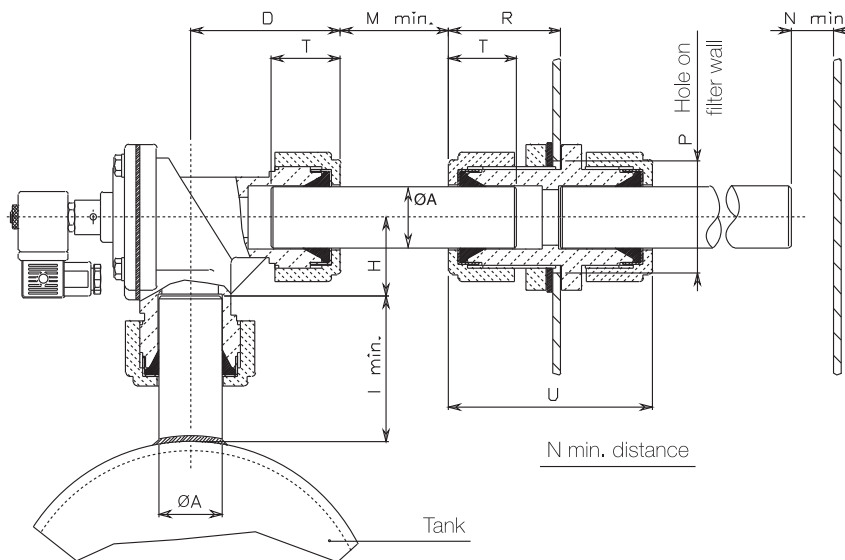
Note: Not to be used as a mechanical support for tank and valves.



GENERAL CHARACTERISTICS	
Body	Die-cast aluminium (Anodised)
Seals	Standard NBR: -30°C / +100°C Optional Silicon: -60°C / +200°C

ASSEMBLY OVERVIEW OF PTD

PTD ASSEMBLING LAYOUT WITH A TWO PIECE PIPE

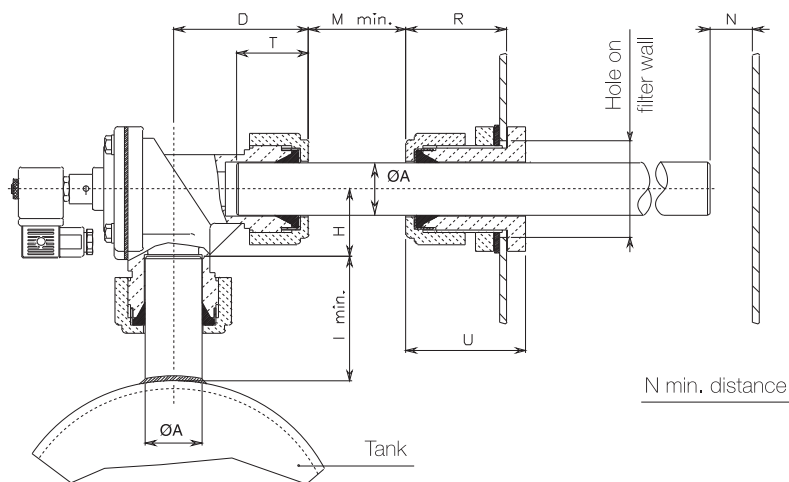


TYPE	Ø A	D	H	I	M	N	T	Weight Kg
VNP 306	3/4"	67	40	50	56	48	30	0,9
VNP 308	1"	80	48	50	70	50	36	1,2
VNP 314	1 1/2"	99	53	85	80	54	42	2,3

TYPE	Ø A	R	Ø P	P Ø max	U	Weight Kg
PTD 306	3/4"	51	42	45	102	0,35
PTD 308	1"	55	54	58	106	0,6
PTD 314	1 1/2"	74	70	74	140	1,3
PTD 316	2"	77	84	86	148	2

PTS ASSEMBLY LAYOUT WITH SINGLE PIPE

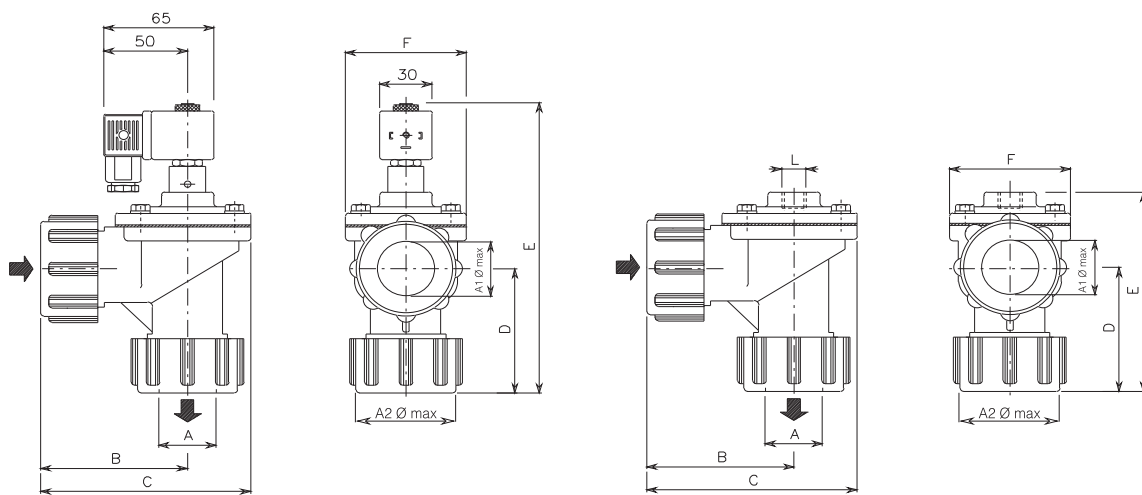
Bulkhead compression fittings



TYPE	Ø A	D	H	I	M	N	T	Weight Kg
VNP 306	3/4"	67	40	50	56	48	30	0,9
VNP 308	1"	80	48	50	70	50	36	1,2
VNP 314	1 1/2"	99	53	85	80	54	42	2,3

TYPE	Ø A	R	Ø P	P Ø max	U	Weight Kg
PTS 306	3/4"	51	42	45	65	0,25
PTS 308	1"	55	54	58	68	0,4
PTS 314	1 1/2"	74	70	74	94	0,86
PTS 316	2"	77	84	86	98	1,65

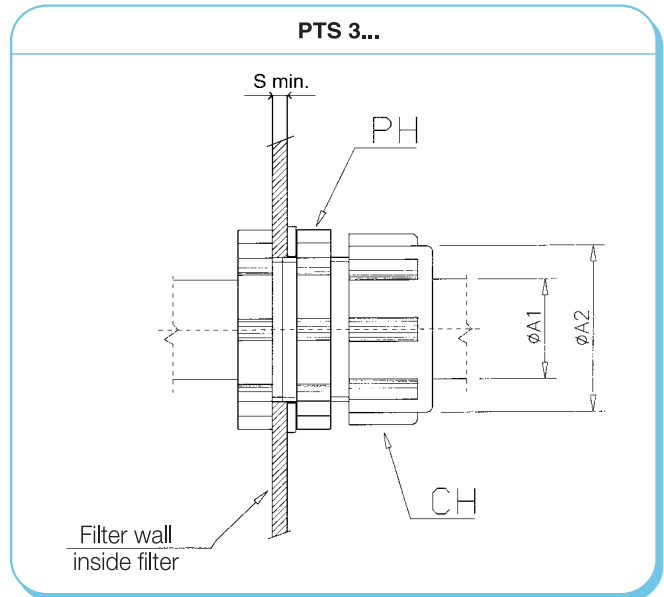
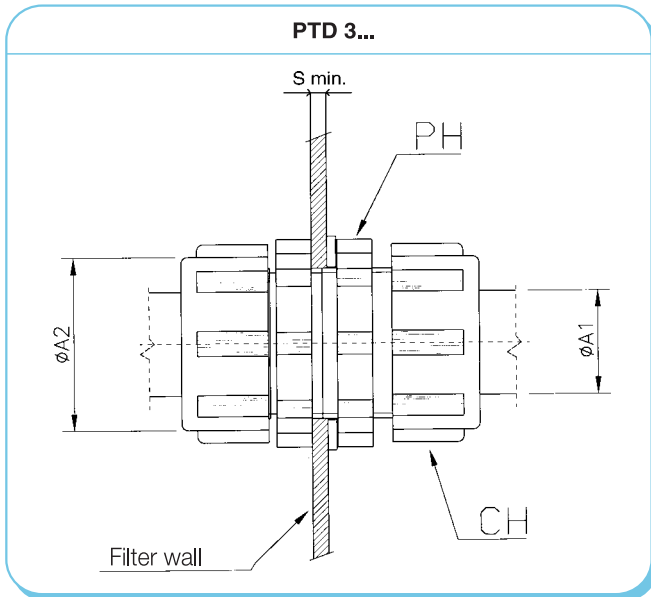
DIAPHRAGM VALVE SERIES 300



MODEL	Ø A1	A1 Ø max	A2 Ø max	CH Wrench
306	3/4"	26,7	27	CH06
308	1"	33,4	33,8	CH08
314	1 1/2"	48,3	48,8	CH14

PART NUMBER AND DIMENSIONS

Bulkhead compression fittings



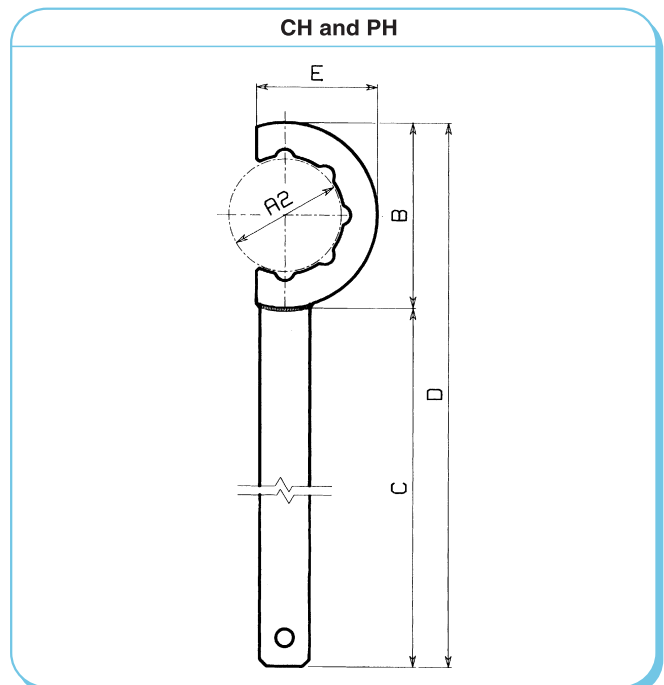
MODEL	Ø A1	A1 Ø max	A2 Ø max	CH Wrench	PH Wrench
PTD 306	3/4"	26,7	27	48	CH06 PH06
PTD 308	1"	33,4	33,8	61	CH08 PH08
PTD 314	1 1/2"	48,3	48,8	85	CH14 PH14
PTD 316	2"	60,3	60,8	95	CH16 PH16

MODEL	Ø A1	A1 Ø max	A2 Ø max	CH Wrench	PH Wrench
PTS 306	3/4"	26,7	27	48	CH06 PH06
PTS 308	1"	33,4	33,8	61	CH08 PH08
PTS 314	1 1/2"	48,3	48,8	82	CH14 PH14
PTS 316	2"	60,3	60,8	95	CH16 PH16

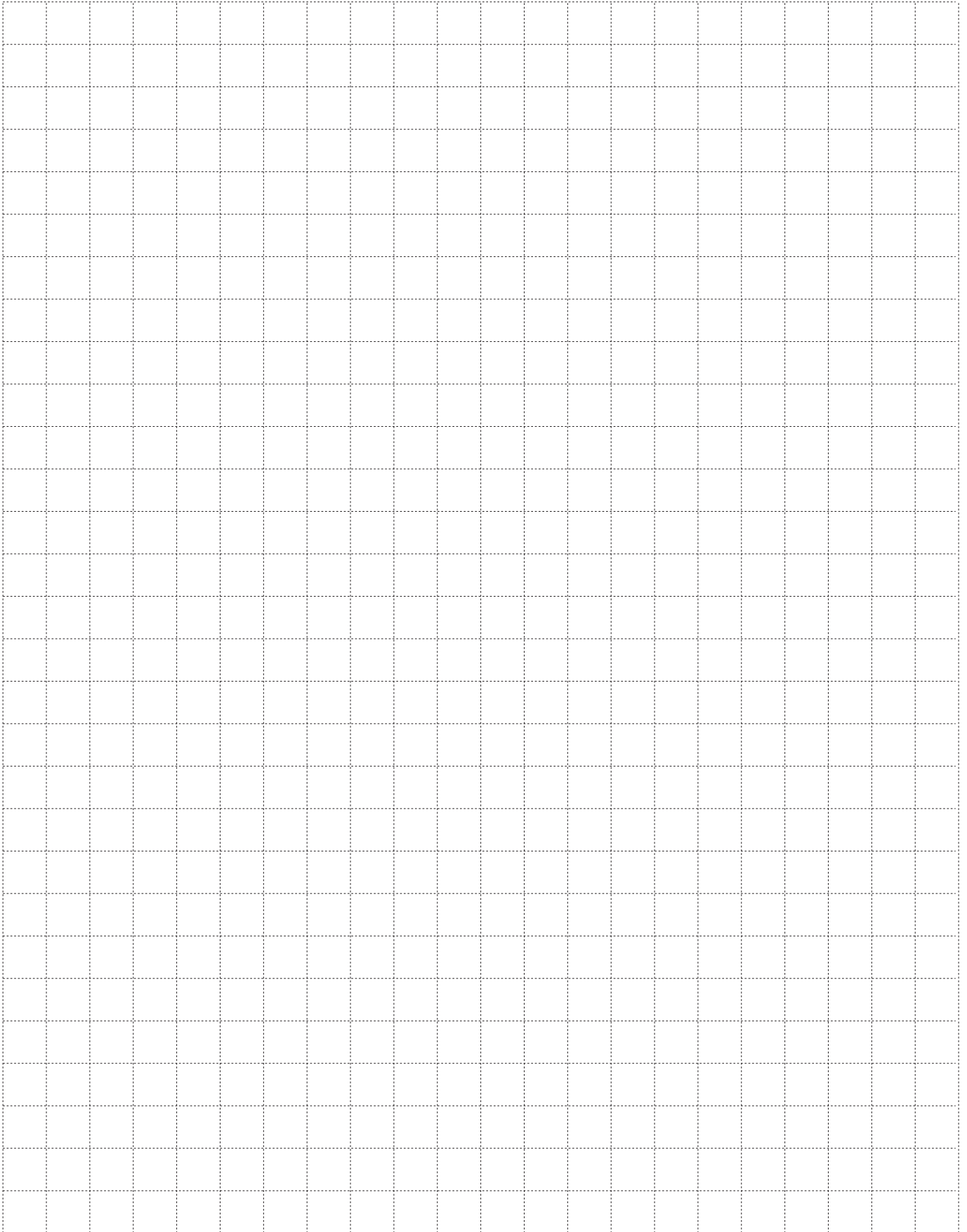
ASSEMBLING CH AND PH WRENCHES

MODEL	Ø A1	Ø A2	Ø B	C	D	E	Weight Kg
CH06	3/4"	48	80	200	280	55	0,24
CH08	1"	61	100	250	350	68	0,44
CH14	1 1/2"	82	130	300	430	85	0,7
CH16	2"	95	150	350	500	100	0,78
CH20	2 1/2"	115	170	350	520	110	0,8
CH24	3"	128	190	350	540	120	0,9

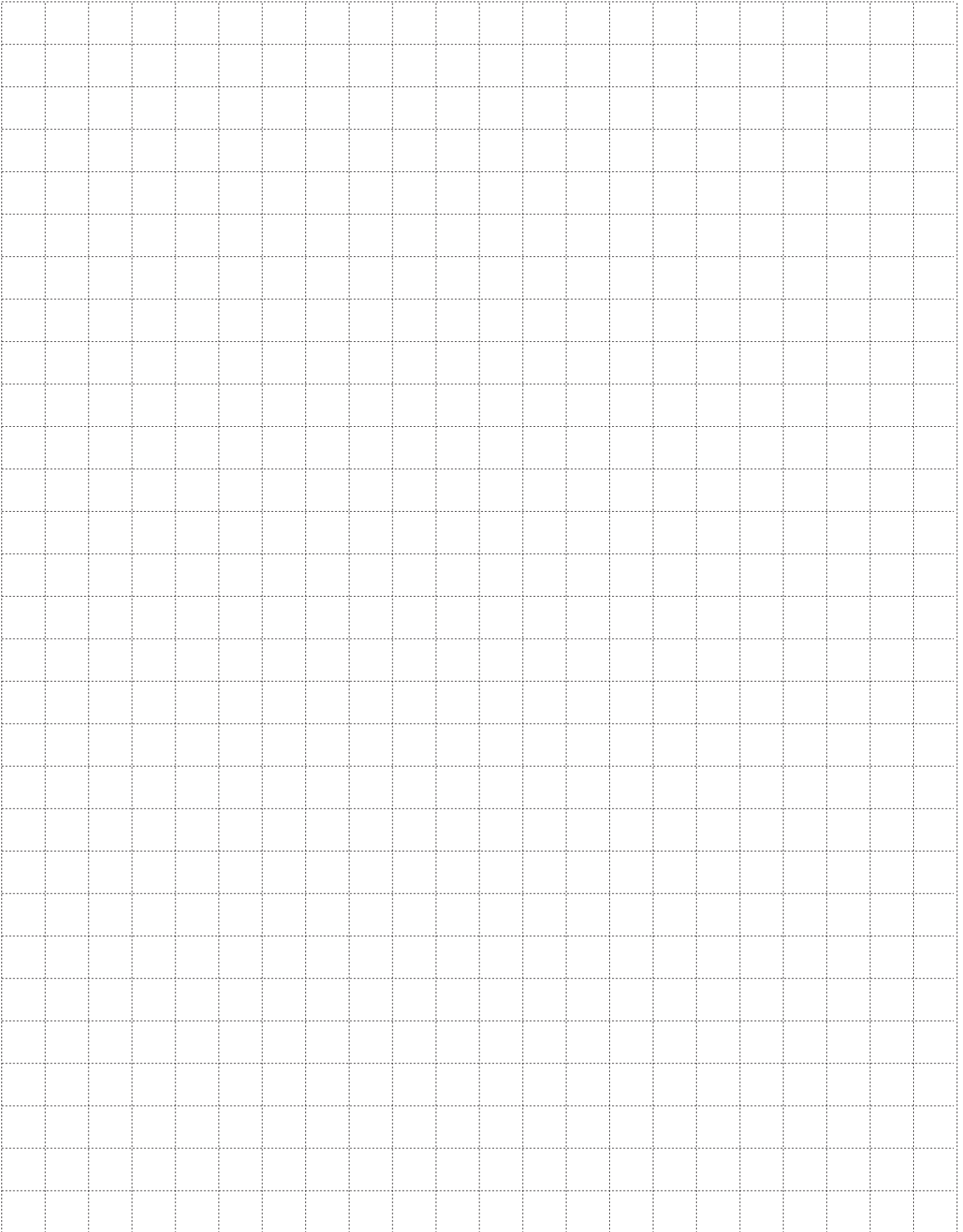
MODEL	Ø A1	Ø A2	Ø B	C	D	E	Weight Kg
PH06	3/4"	55	80	200	280	55	0,24
PH08	1"	70	100	260	360	65	0,31
PH14	1 1/2"	90	130	270	400	85	0,5
PH16	2"	95	150	350	500	100	0,78



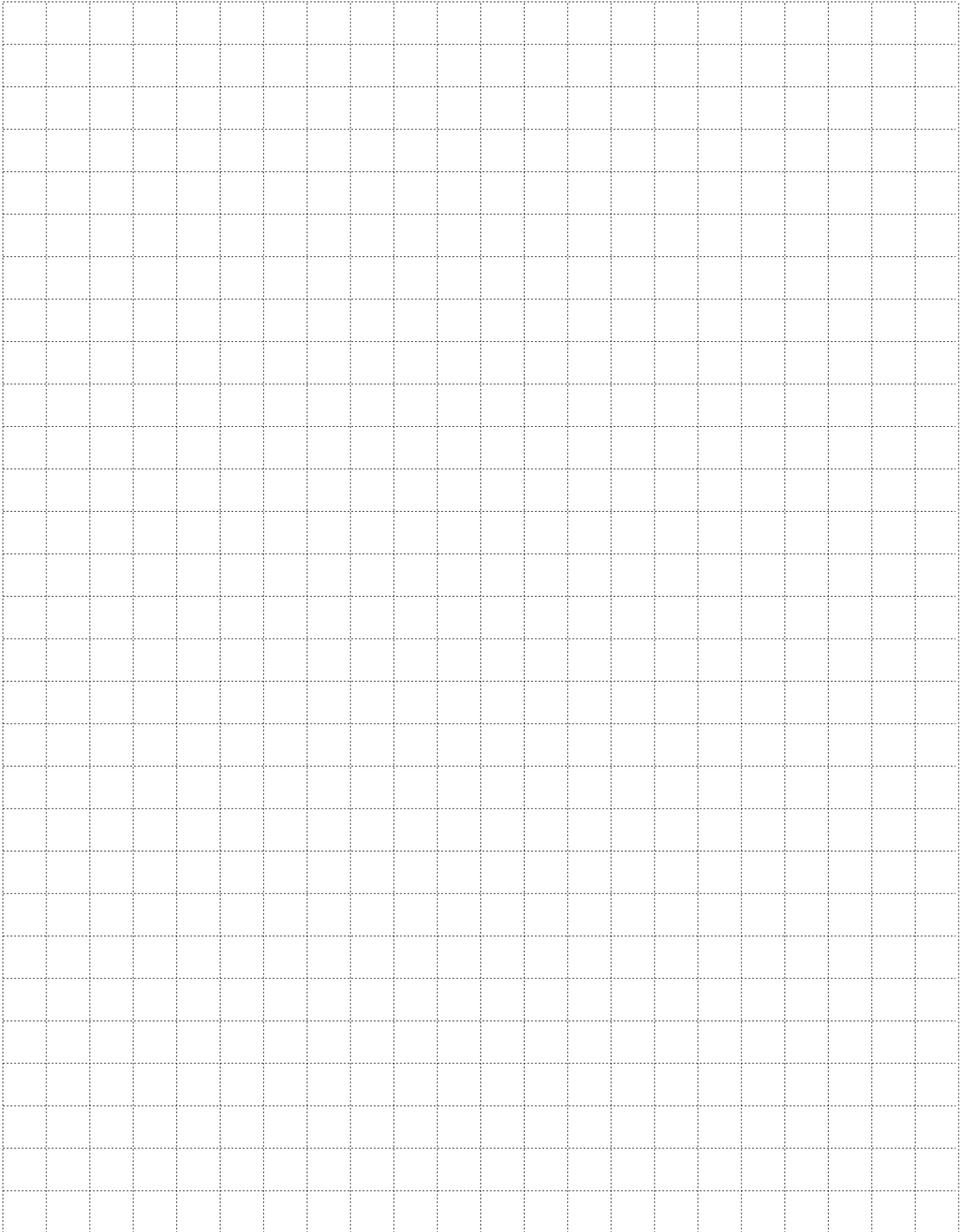
Note:

A large rectangular area filled with a grid of small squares, created by dashed lines. This area is intended for handwritten notes or technical drawings.

Note:

A large rectangular area filled with a grid of small squares, intended for handwritten notes. The grid is composed of approximately 25 columns and 35 rows of squares, with each square defined by a dotted line.

Note:

A large, empty grid of small squares, intended for handwritten notes. The grid consists of approximately 20 columns and 30 rows of squares, with dashed lines forming the grid boundaries.



THE TOTAL SOLUTION PROVIDER

Mecair S.r.l.

Via per Cinisello 97
20054 Nova Milanese - Milano
ITALY

Tel.: +39 0362 3751

Fax: +39 0362 367279

email: mecair@mecair.it

www.mecair.it

www.cleanairsystems.com

EUROPE

• **Tyco Umwelttechnik**
Im Petersfeld 6
D-65624 Altendiez
GERMANY
Tel.: +49 6432 1001/1002
Fax: +49 6432 63810

• **Goyen Controls Co UK Ltd**
Unit 3B Beechwood
Chineham Business Park
Basingstoke, Hampshire, RG24 8WA
UNITED KINGDOM
Tel.: +44 1256 817 800
Fax: +44 1256 843 164

ASIA PACIFIC

• **Goyen Controls Co Pty Ltd**
268 Milperra Road
Milperra
NSW 2214 AUSTRALIA
Tel.: +61 2 9792 0201
Fax: +61 2 9771 5380

• **Goyen S.R.O.**
Shanghai Representative Office
2521 Zhao Feng World Trade Building
369 Jiang Su Road Shanghai 200050 CHINA
Tel.: +86 21 5239 8810
Fax: +86 21 5239 8812

USA

• **Goyen Valve Corporation**
1195 Airport Road
Lakewood
New Jersey 08701 USA
Tel.: +1 732 364 7800
Fax: +1 732 364 7839