

Technical Specification  
MIP Pilot Valve

**Pilot valve with integral silencer and dust shroud to mount directly to 3 Series dust collector diaphragm valve.**



**Suitable for**

RCAC20T3, RCAC20ST3, RCAC20DD3, RCAC20FS3, RCAC25T3, RCAC25DD3, RCAC25FS3 dust collector valves only.

**Installation**

Ensure o-ring is in place on diaphragm valve cover. Gripping the shroud, hand tighten MIP pilot valve onto cover of diaphragm valve. Solenoid is free to rotate on pilot valve. MIP thread will suit 1/8 BSP T, 1/8 BSP P and 1/8 NPT ports.

**Construction**

- Body:** Aluminium (diecast)
- Armature:** 430F SS
- Encapsulation:** PA-6
- Insulation:** Class H/180°C
- Seals:** Nitrile
- Shroud:** PA-6

**Operation**

- Recommended on time range:** 50-500ms
- Recommended time between pulses:** 1 minute or greater

**Approvals**

- EMC (89/336/CE)

**Options**

None

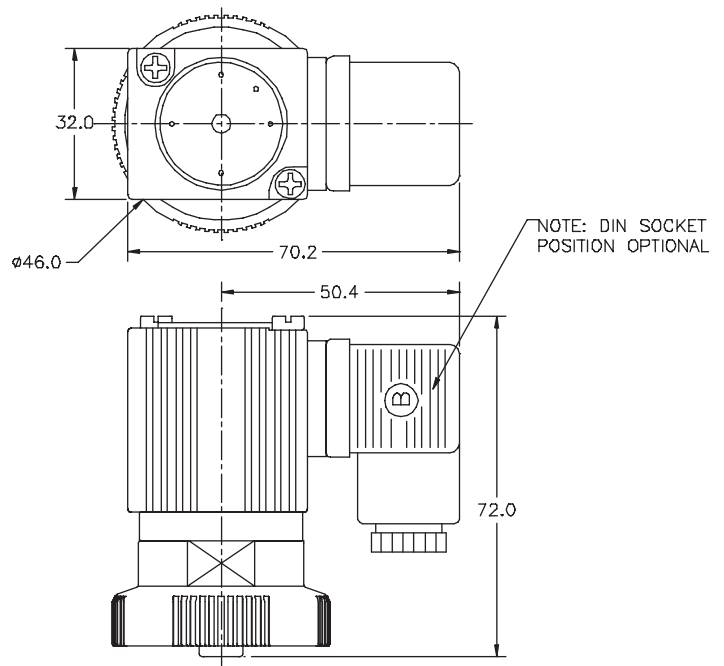
**Spare Parts**

None available. Pilot is replaced completely as required.

**Dimensions and Weights**

(Dimensions in mm)

Series	Weight
MIP	0.210 kg/0.463 lb



**Product Performance**

Flow	Maximum Working Pressure	Minimum Working Pressure	Temperature Min	Temperature Max	Fluid Media
0.32 Cv	750 kPa	100 kPa	-20°C	60°C	Air or inert gas
0.27 Kv	109 psi	15 psi	-4°F	140°F	

**Order Code and Electrical Characteristics**

Model	Connection Type	Protection Class	Voltage	Power
MIP-110VDC	DIN 43650A	IP64	110 VDC	15W
MIP-24VDC	DIN 43650A	IP64	24 VDC	15W
MIP-110/127VAC	DIN 43650A	IP64	110/127V 50/60 Hz	19VA
MIP-220/240VAC	DIN 43650A	IP64	220/240V 50/60 Hz	19VA
MIP-24V50HZ	DIN 43650A	IP64	24V 50 Hz	19VA
MIP-24V60HZ	DIN 43650A	IP64	24V 60 Hz	19VA